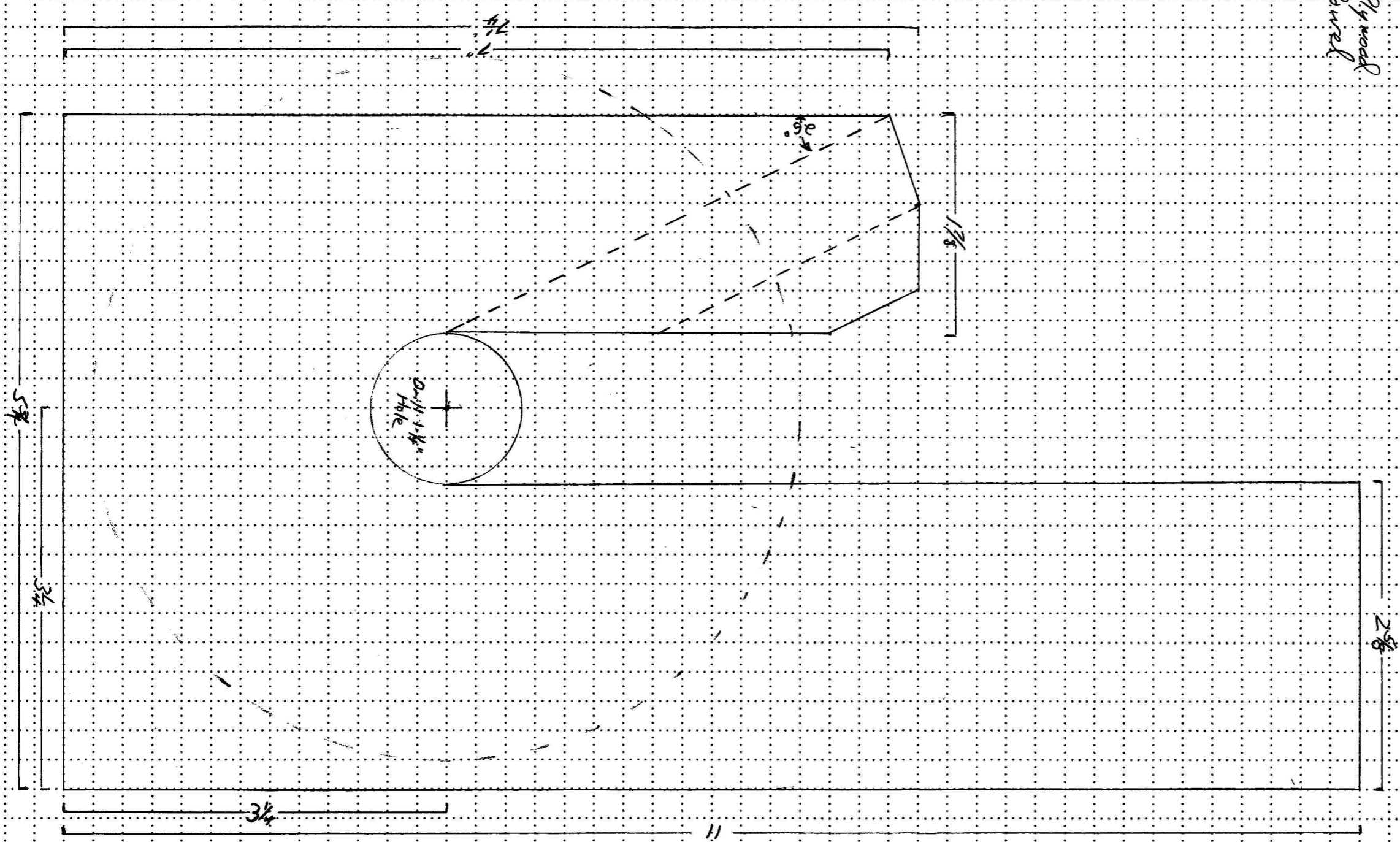


From the workbench of:

Date:



1/2" Plywood
1" Laurel
"Big Roll" Holder

