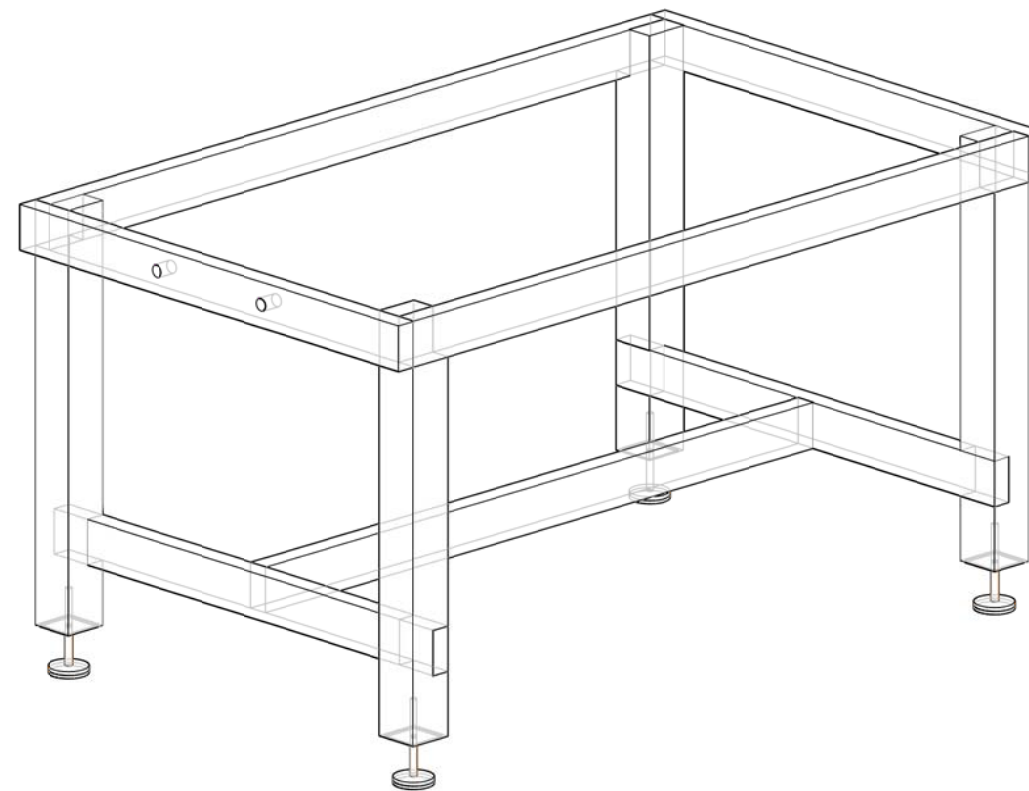
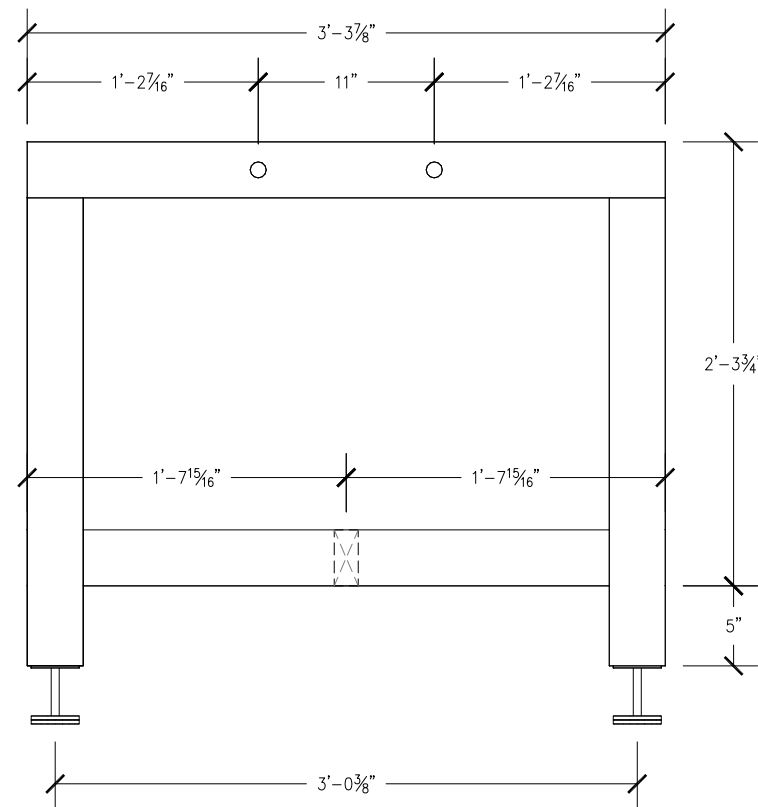


4 TOP VIEW, LOWER FRAMING
SCALE: 1" = 1'-0"

3 SIDE VIEW, LOWER FRAMING
SCALE: 1" = 1'-0"



REQUIRED MATERIALS:

- 1 @ 10'-0" 4X4
- 4 @ 8'-0" 2X4

3" SCREWS
WOOD GLUE

2 FRONT VIEW, LOWER FRAMING
SCALE: NTS

1 ISO VIEW, LOWER FRAMING
SCALE: NTS

DRAWING: FRAMING DETAILS
SHEET: LT1-1 DRAFT: MRP
DESIGN: MAX PIERSON

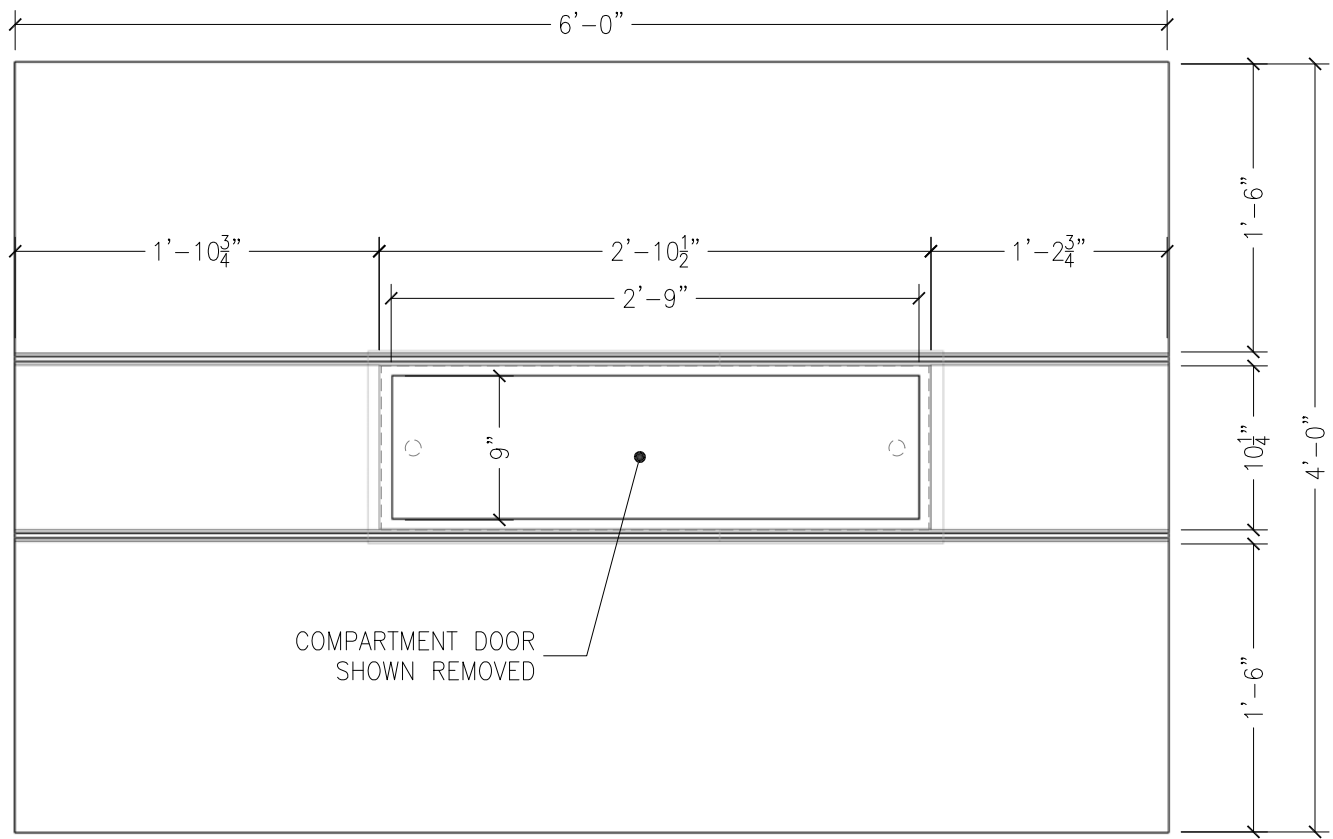
PROJECT: WORKBENCH

VENUE: N/A

DATE: 15 FEB 2010 REV: 8

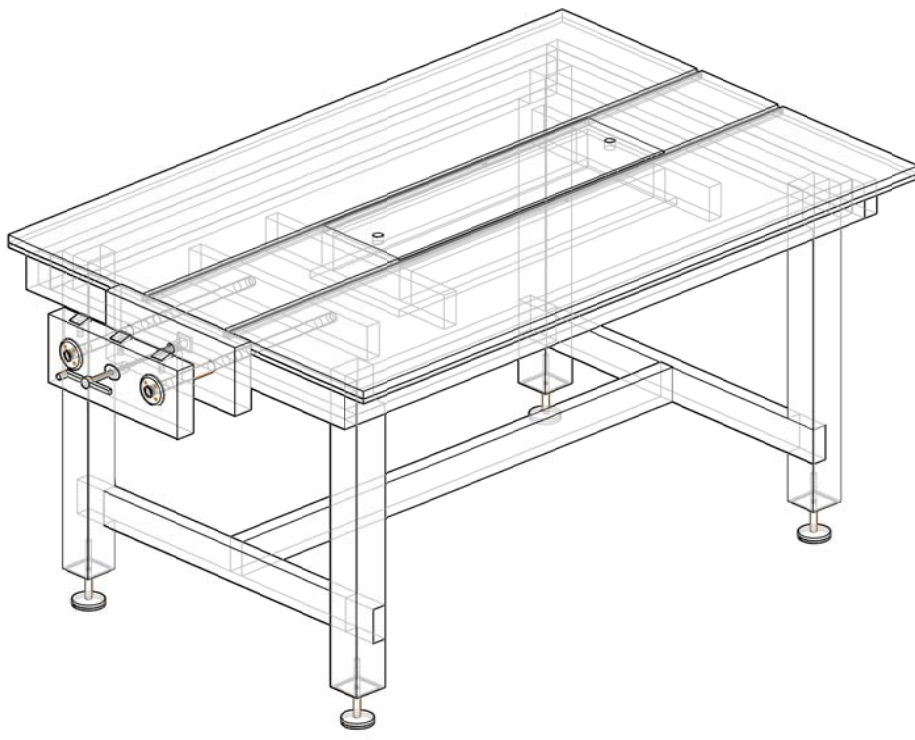
© 2005 WINGED VICTORY DESIGN 415.993.0629 MAX@WINGEDVICTORYDESIGN.COM



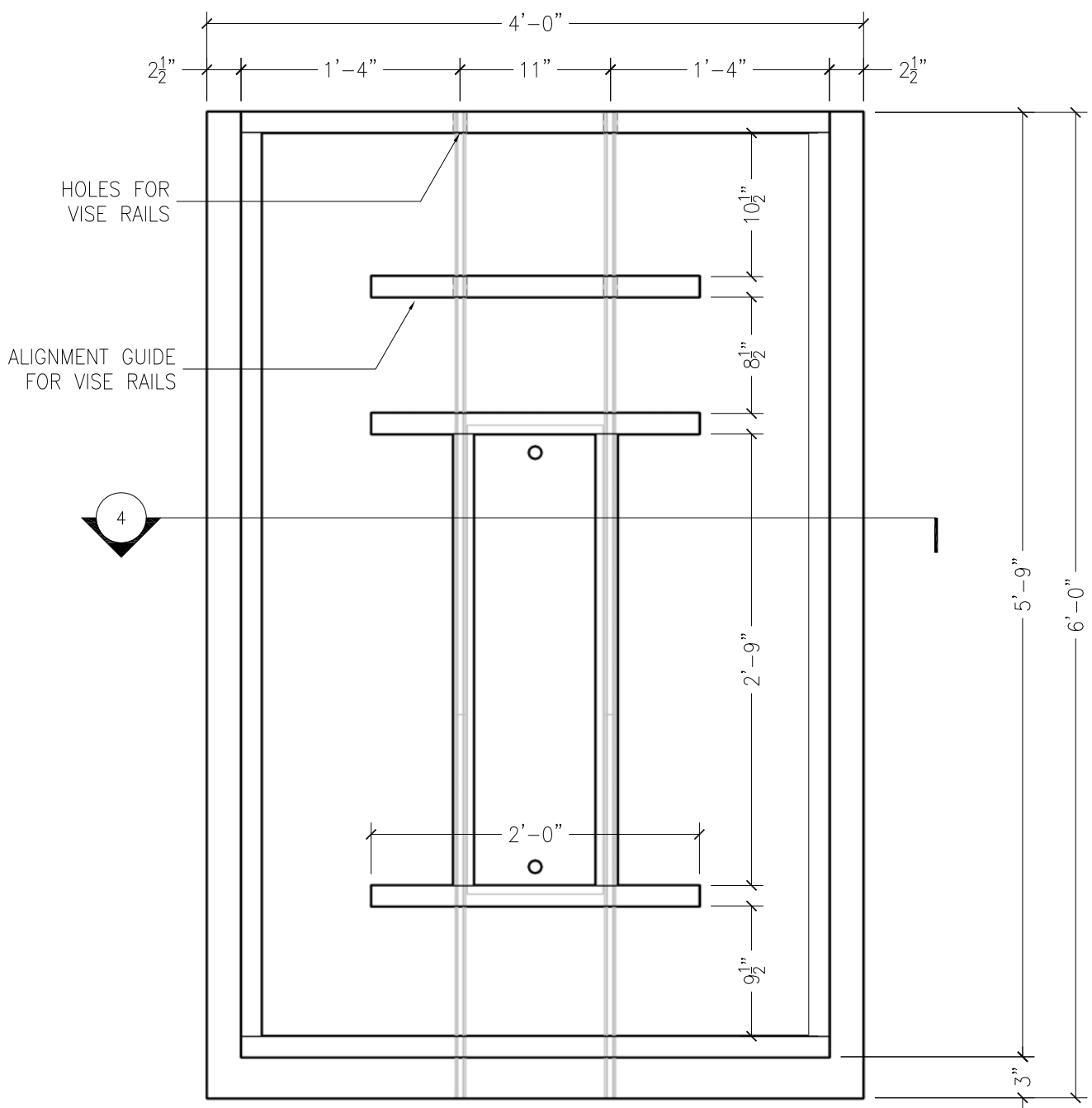


1 TOP VIEW, UPPER TABLE
SCALE: 1" = 1'-0"

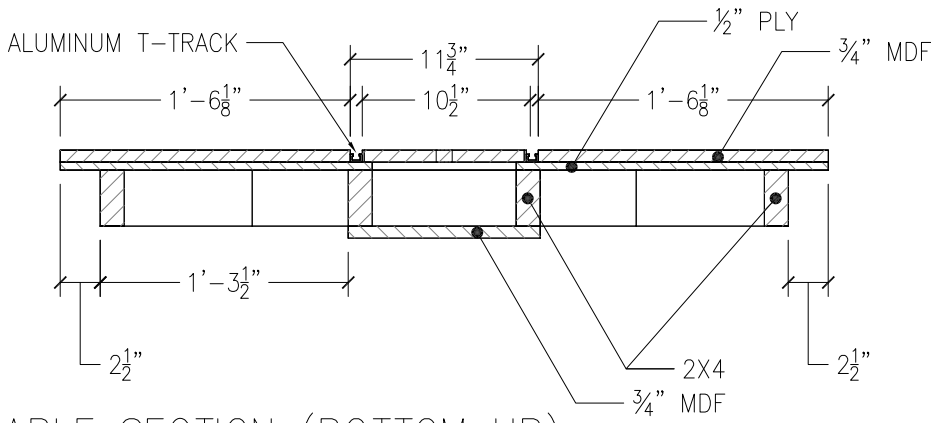
- REQUIRED MATERIALS:
- 4 @ 8'-0" 2X4
 - 3 @ 4'x8' MASONITE
 - 1 1/2" SCREWS
 - 2 1/2" SCREWS
 - WOOD GLUE



3 ISO VIEW, UPPER TABLE
SCALE: NTS



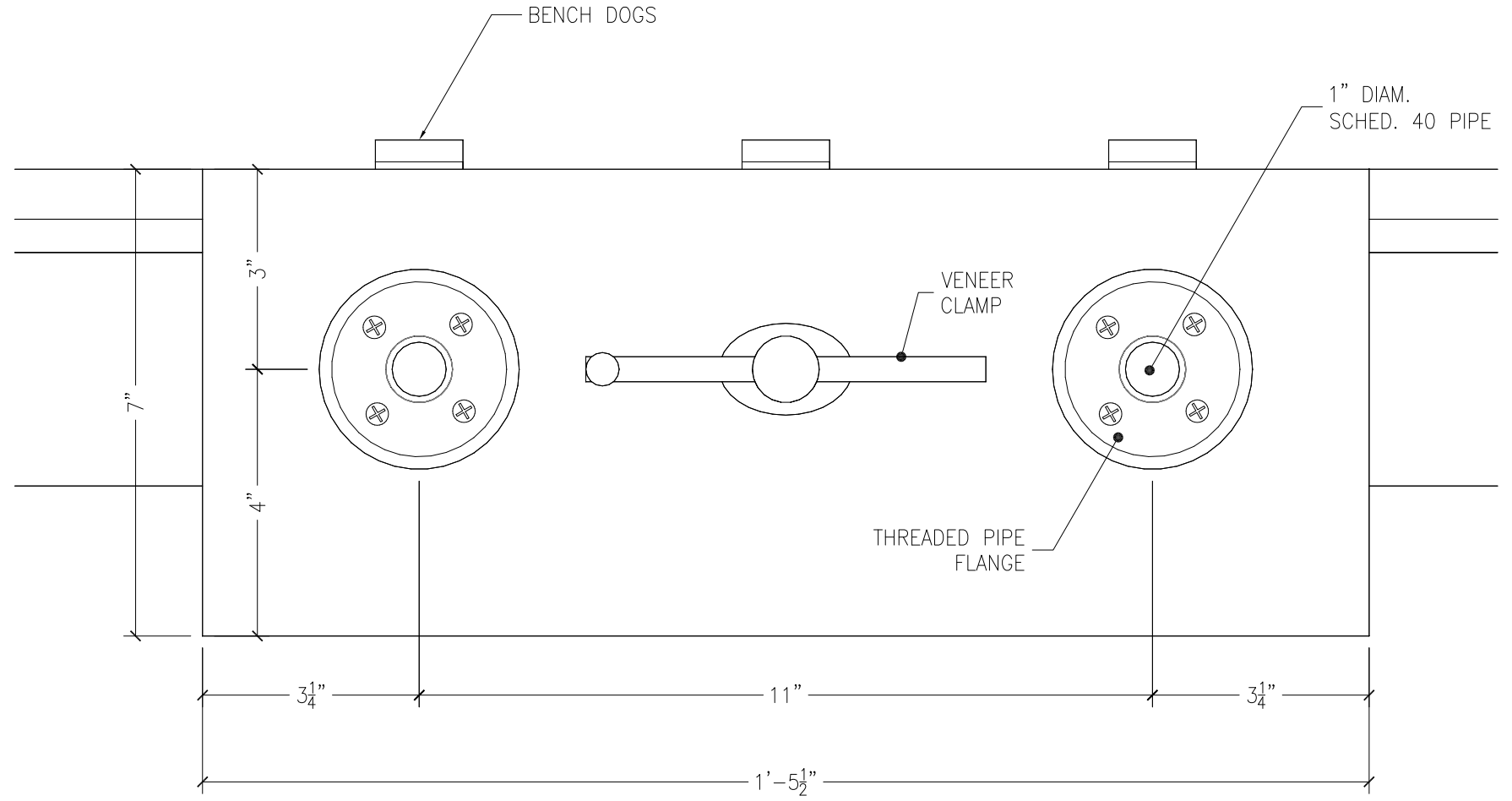
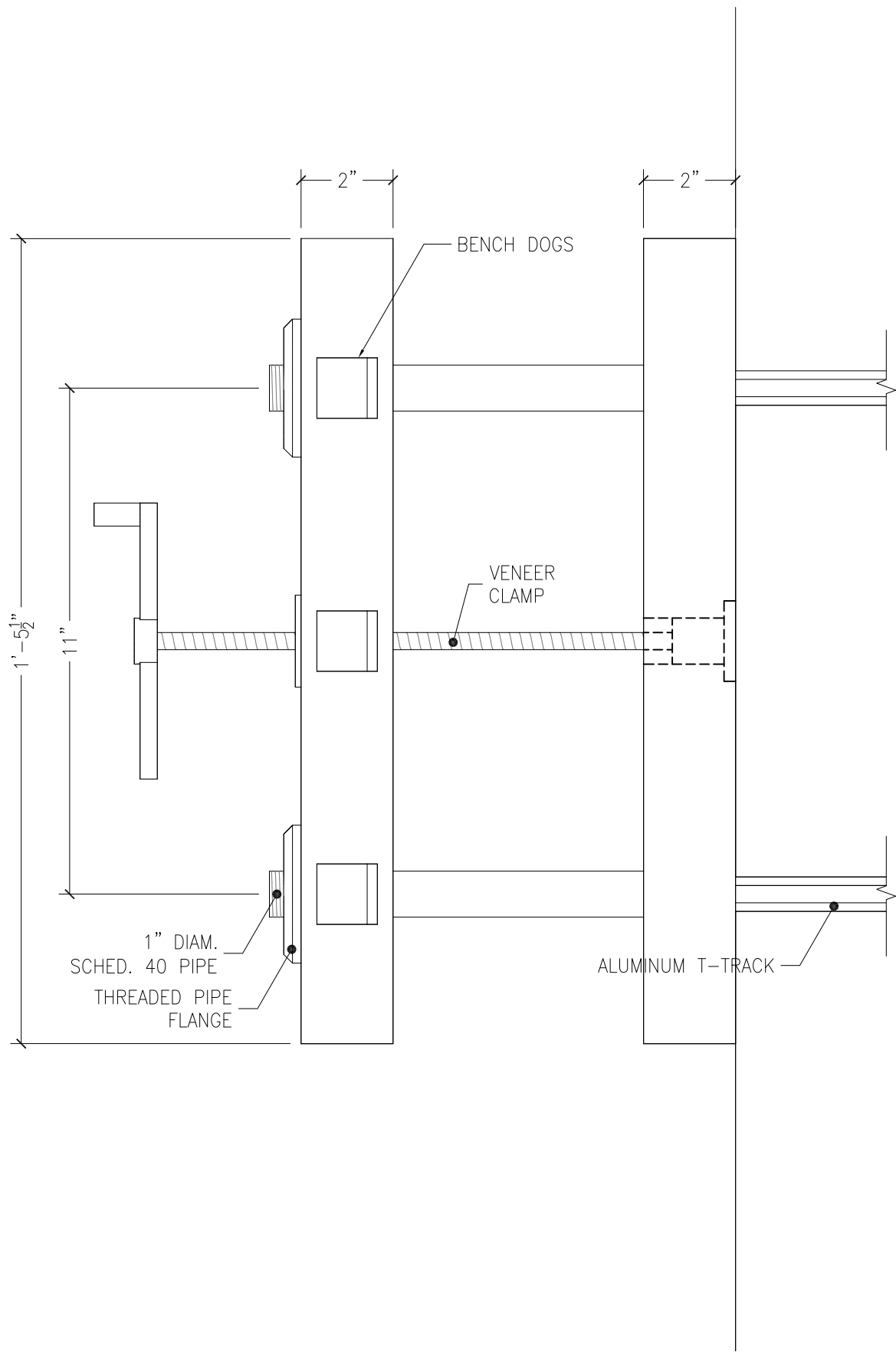
2 BOTTOM VIEW, UPPER TABLE
SCALE: 1" = 1'-0"



4 TABLE SECTION (BOTTOM UP)
SCALE: 1" = 1'-0"


PROJECT: WORKBENCH
VENUE: N/A
DATE: 15 FEB 2010 REV: 8
© 2005 WINGED VICTORY DESIGN 415.993.0629 MAX@WINGEDVICTORYDESIGN.COM

DRAWING: TABLE DETAILS
SHEET: LT1-2 DRAFT: MRP
DESIGN: MAX PIERSON

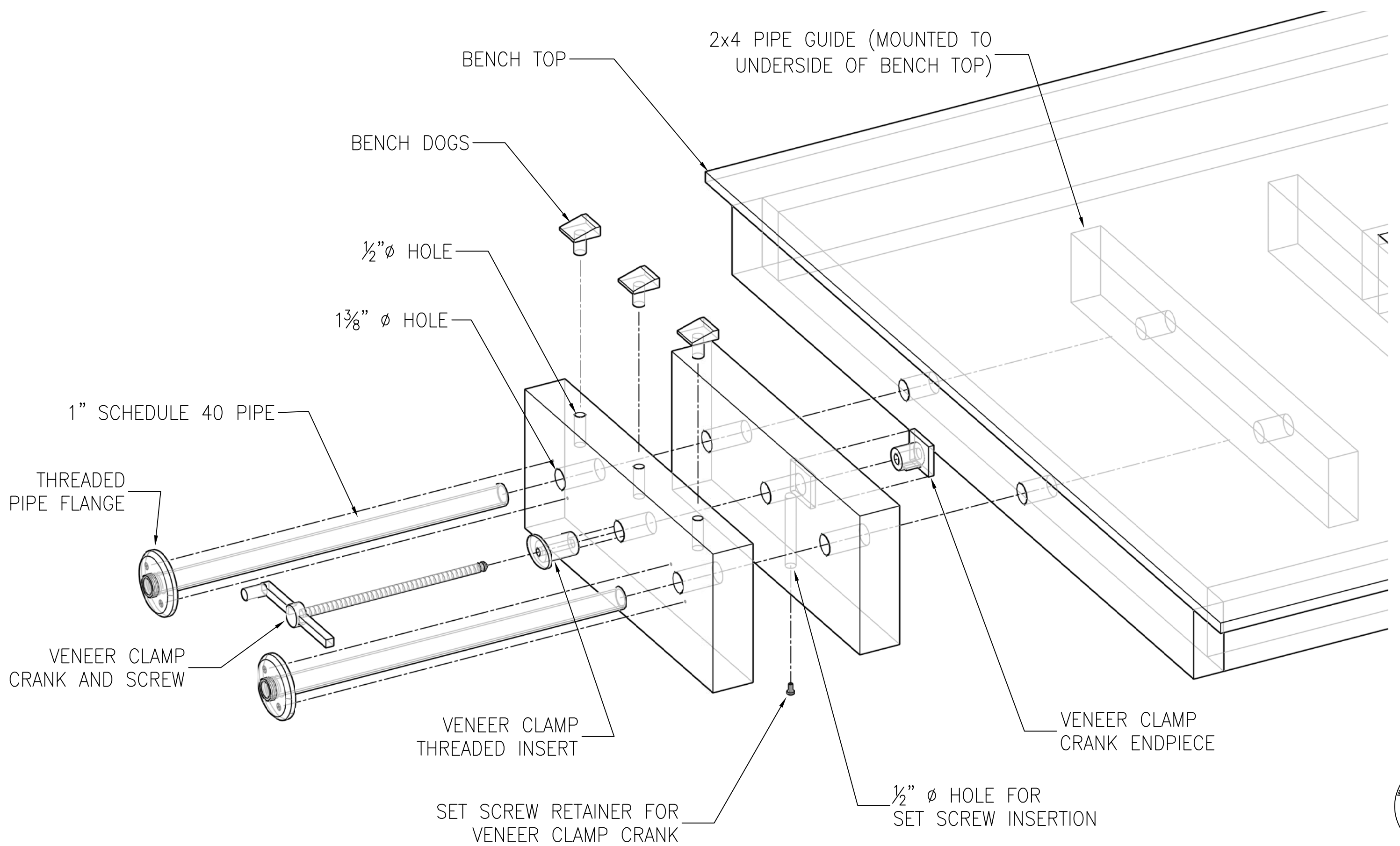


2 TOP VIEW, VISE
SCALE: NTS

1 FRONT VIEW, VISE
SCALE: NTS

	PROJECT: WORKBENCH	DRAWING: VISE DETAILS
	VENUE: N/A	SHEET: LT1-3 DRAFT: MRP
	DATE: 15 FEB 2010 REV: 8	DESIGN: MAX PIERSON

© 2005 WINGED VICTORY DESIGN. 415.993.0629 MAX@WINGEDVICTORYDESIGN.COM



1 VISE, EXPLODED VIEW
SCALE: NTS

PROJECT: WORKBENCH	DRAWING: VISE DETAILS
VENU: CHEZ MOI	SHEET: LT1-4
DATE: 15 FEB 2010	DRAFT: MRP
REV: 8	DESIGN: MAX PIERSON

© 2005 WINGED VICTORY DESIGN. ALL RIGHTS RESERVED. 415.993.0629 MAX@WINGEDVICTORYDESIGN.COM

