

# RAMIA<sup>CZ</sup> WORKBENCH













---

WWW.RAMIA.CZ

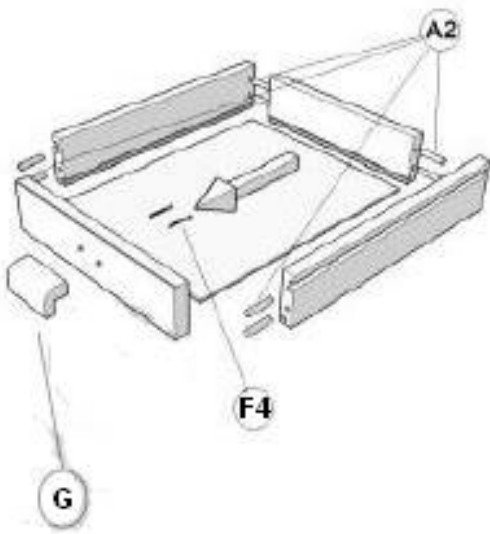
## Assembly instructions

➤ Workbench PREMIUM STAR (AN)

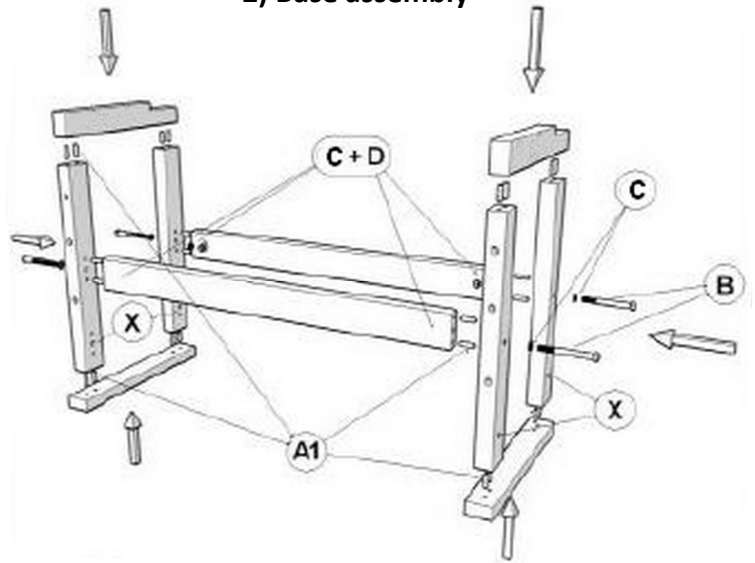
### PARTS LIST

A1		28x	Ø10x40mm
A2		8x	Ø8x40mm
B		4x	M12x100mm
C		4x	M12
D		4x	M12
E		8x	8x45mm
F1		6x	6x40mm
F2		4x	5x90mm
F3		4x	5x100mm
F4		2x	4x40mm
G	 drawer handle	1x	
H		1x	
J	Round bench dog Ø18mm 2+2pcs		
X	holes for stretchers if cupboard is used		

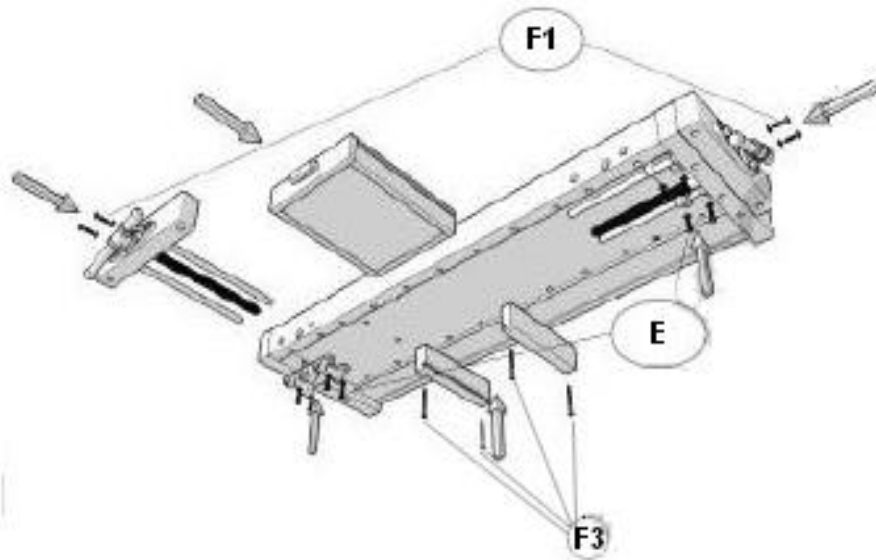
### 1) Drawer assembly



### 2) Base assembly



### 3) Vices assembly and attaching



### 4) Bench top attaching

