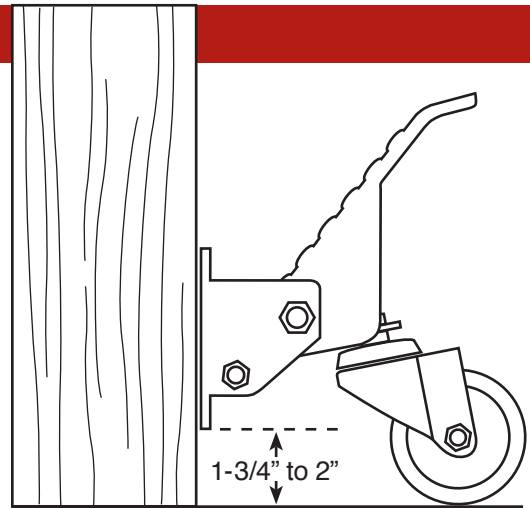


Workbench Caster Kit Assembly & Mounting Instructions

The mounting plate of each wheel assembly is attached to the vertical legs of your bench using the included screws.



Locate the bottom edge of each mounting plate **at a distance of 1-3/4" to 2" above** the bottom of the leg (as it rests on the floor). Be sure to use the same distance for each leg.

A lower mounting position for the plate (choosing 1-3/4"), means the wheels will raise up the legs more, which can be useful when you need to roll over thresholds or have a less than smooth and flat workspace floor.

A higher mounting position (choosing 2") means the bench is lifted less and thus takes a bit less effort when stepping on the pedal to lift the bench up to be supported by the wheels. This can be useful for very heavy benches existing on level, flat floors.

Should your leg design have any offset in the area where the plate will attach, shim appropriately so the mounting plate attaches to be fully flush and plumb onto the side of each leg.

Mark the mounting hole locations and use a 1/8" drill bit to make pilot holes. Securely attach the mounting screws for each plate.

Additional Installation Tips

To reduce measurement errors, cut a piece of scrap the size for the height above the floor you want (1-3/4" to 2") for use as a locating template. Rest the scrap on the floor next to each leg and then rest the bottom of each plate onto the scrap, thus ensuring each wheel is located at the same height on all four legs.

If you want to get a feel how a different mounting distance above the bottom of the leg impacts the lifting of the bench onto the wheels, use a sturdy clamp to temporarily secure the mounting plate at different distances. Observe how much the bench leg is off the floor when supported by the wheels.

Tip for Use

In stepping on and releasing the wheel pedal levers, use your arms to provide some additional lifting force to more easily raise the bench onto the wheels and to provide some resistance to gravity when you lower the bench down to the floor.

Kit Includes

Four - swivel caster with 1/2"-13 stud

Four - foot pedal assembly

Four - 1/2"-13 hex nuts & 1/2" lock washers for mounting the swivel casters to the foot lever assemblies

Eight - 3/16" x 1-1/4" mounting screws