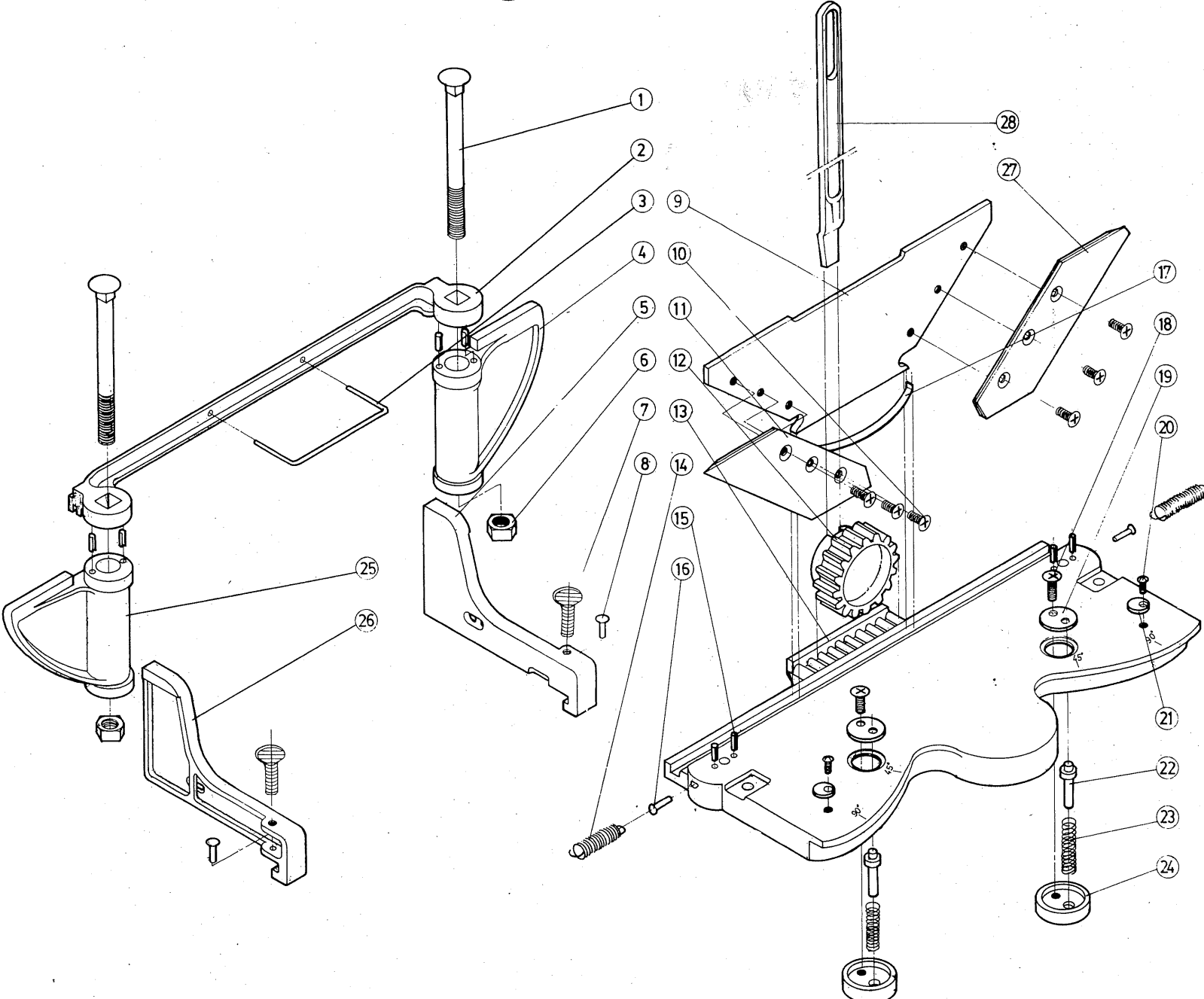


# Miter Trimmer



PARTS NO.	DESCRIPTION	Q'TY
01	BOLT	2
02	BRACKET	1
03	HANDLE	1
04	BLADE GUARD, RIGHT	1
05	MITER PLATE, RIGHT	1
06	HEX. NUT	2
07	THUMB HEAD SCREW	2
08	RIVET	2
09	BLADE BRACKET	1
10	SCREW	6
11	BLADE, LEFT	1
12	GEAR	1
13	BASE	1
14	SPRING	2
15	PIN	6
16	RIVET	2
17	SPRING	1
18	SCREW	2
19	FIXING PLATE	2
20	SCREW	2
21	FIXING PLATE	2
22	FIXING BAR	2
23	SPRING	2
24	FIXING BASE PLATE	2
25	BLADE GUARD, LEFT	1
26	MITER PLATE, LEFT	1
27	BLADE, RIGHT	1
28	CUTTING HANDLE	1