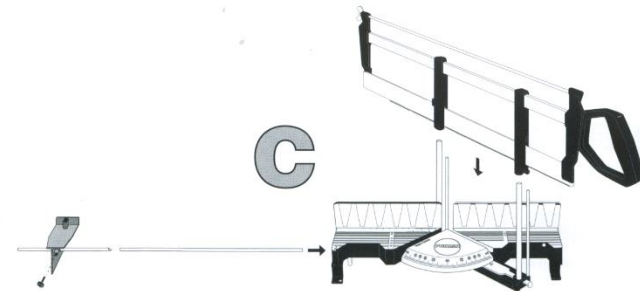
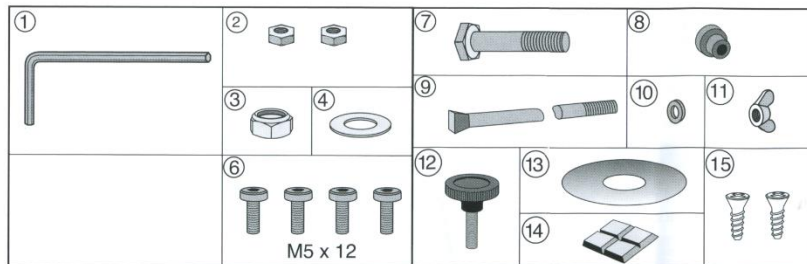
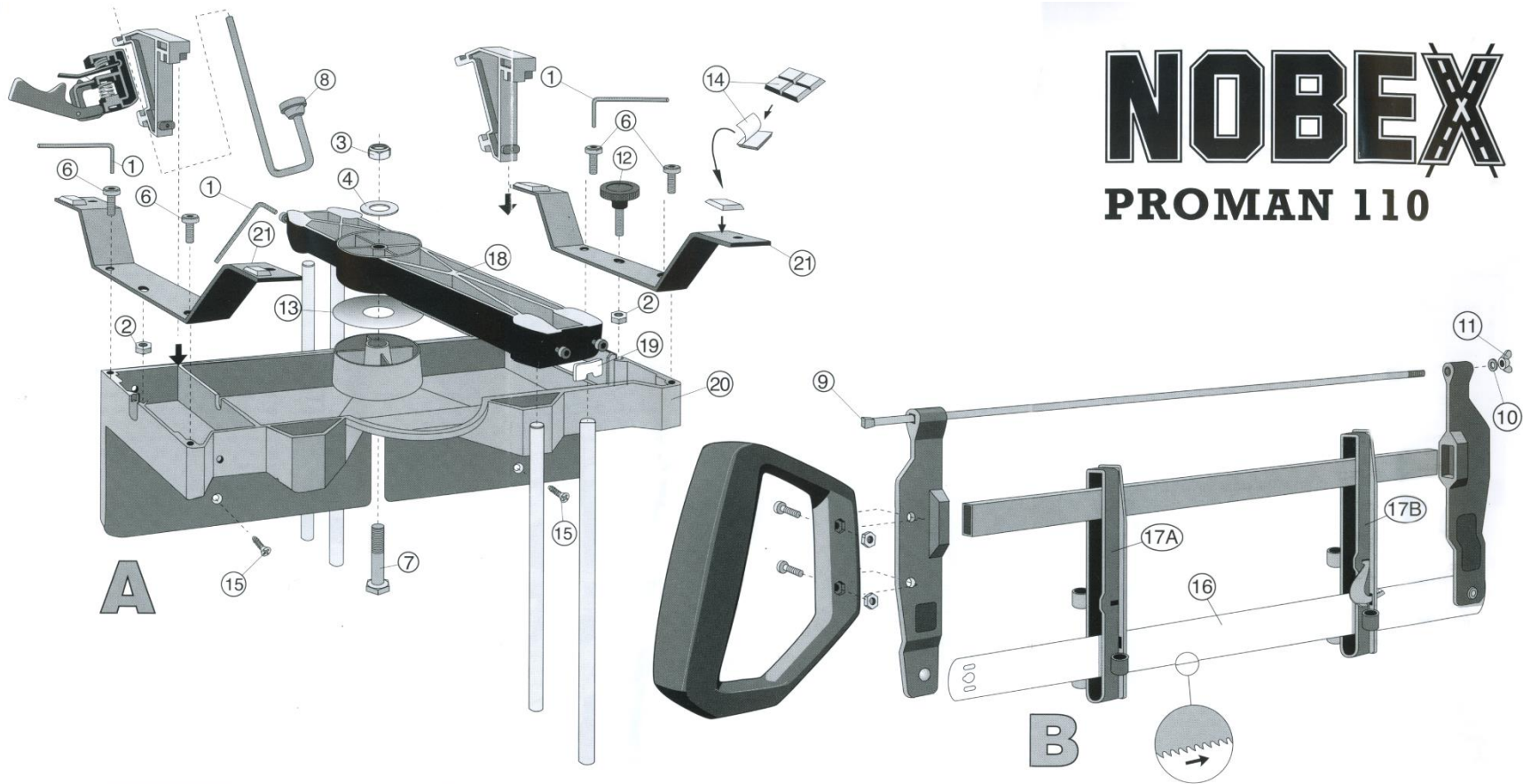


NOBEX

PROMAN 110



ENGLISH

Assembly of the mitre saw

Look closely at the assembly sketch. Turn the base (20) as on the picture. Place the nuts (2) into the base and assembly the feet (21). When assembling the pivoted arm (18) keep the washer (13) towards the guiding edge of the pivoted arm as you press the red catch (19). Tighten the nut (3) then loosen one 1/4 turn. When assembling the saw frame, note the direction of the teeth on the blade (16)! Attach the clamp brackets to the table