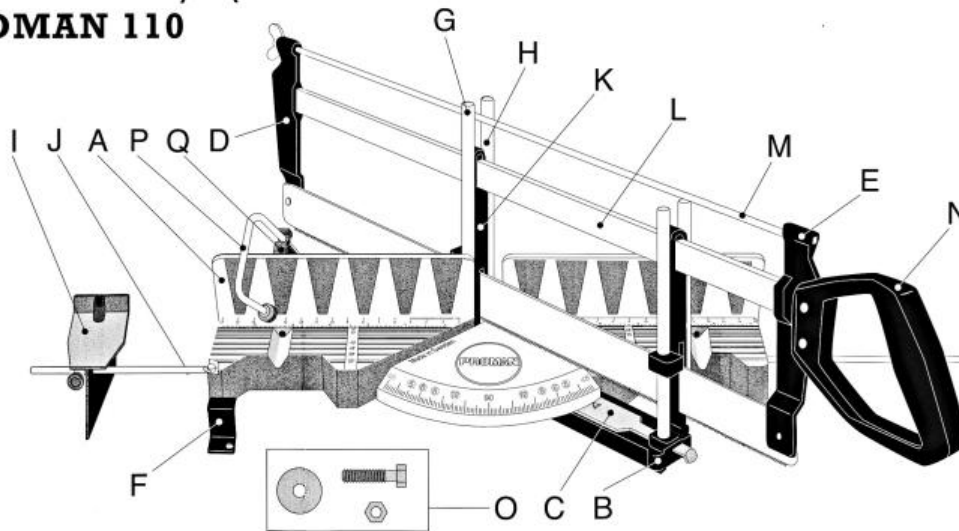


# NOBEX

## PROMAN 110



Description	Art no
A. Table	PRM11002
B. Pivoted arm compl, less upright	PRM11072
C. Locking catch complete	PRM11082
D. Saw arm with rivet	PRM11075
E. Saw arm at handle	PRM11085
F. Foot	PRM11035
G. Upright 10 mm	PRM11009
H. Upright 8 mm	PRM11010
I. Length stop complete	PRM11080
J. Rod	PRM11068
K. Blade guide	PRM11077
L. Support tube	PRM11016
M. Tension rod complete	PRM11076
N. Handle with screws	PRM11074
O. Centerbolt	PRM11073
P. Clamp complete	PRM11020
Q. Clamp bracket	PRM11021
Leaf spring	PRM11081