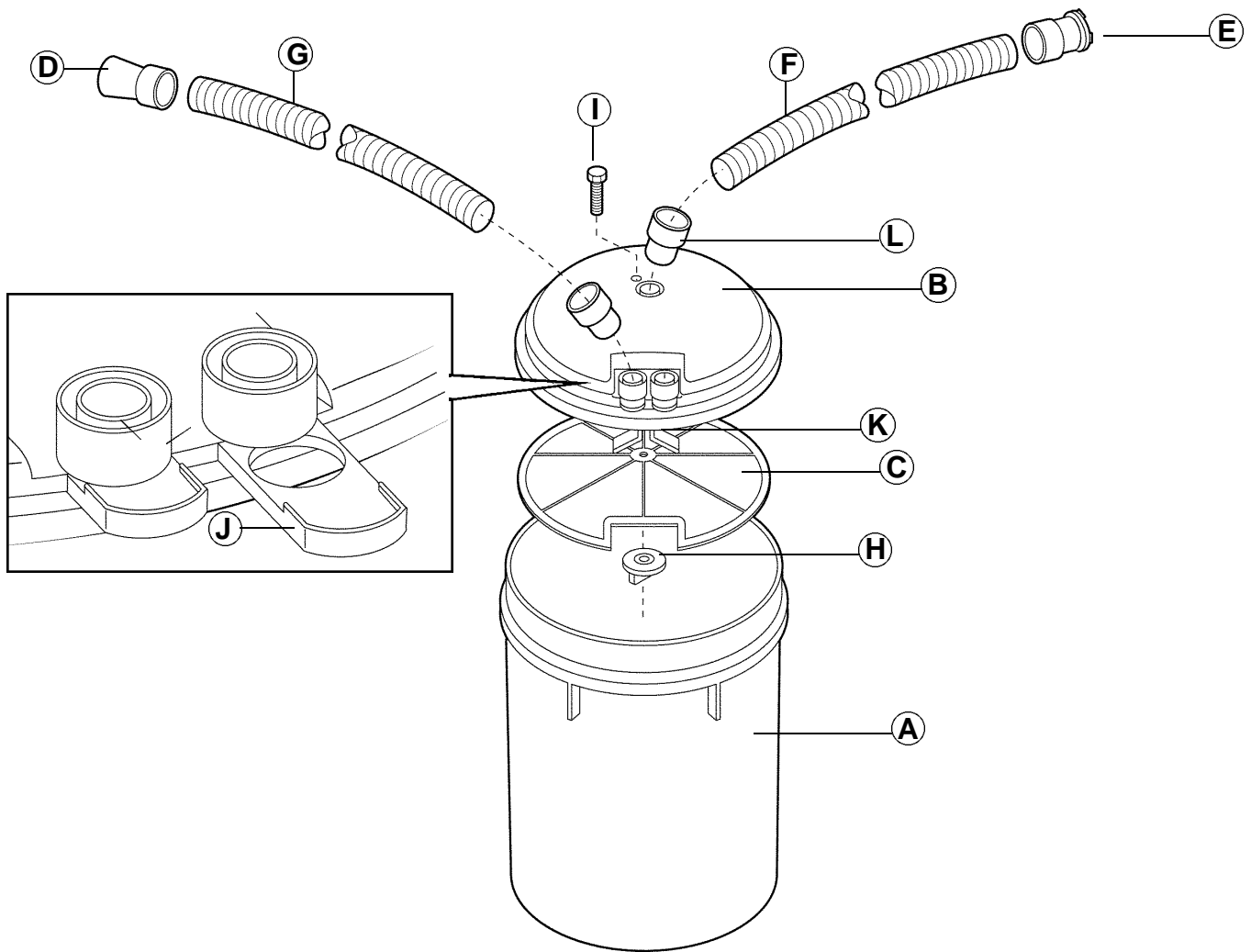


Dust Collector - DCA300

Suits all Triton products with dust ports



Diag. Ref.	Part No.	Description	Qty Supplied as Spare Part	Comments
-	CPA104	Packing Bag (plastic)	1	
A	DCA018	Canister (20 litre)	1	
B	DCA011	Lid Assembly	1	
C	DCA015	Filter	1	
D	CMA082	Tapered Hose Adaptor	1	
E	CMA083	Bayonet Hose Adaptor	1	
L	CMA081	Straight Hose Adaptor	1	
F	DCA025	Hose Replacement (750mm)	1	
G	DCA026	Hose Replacement (2.25m)	1	
H	CMA040	Round Knob (6mm)	1	Includes 6mm nut
I	CSA171	M6 x 25mm Bolt	1	
J	DCA013	Slide Valve	1	
K	DCA014	Deflector Valve	1	

Specifications:

Packed weight: 1.97kg

Dimensions: 325 x 325 x 470mm

Volume: 0.058m³

Vacuum Hose: I.D. 32mm